



Bracke T26.b

Two-row disc trencher

The Bracke T26.b is able to handle the most troublesome terrain littered with stones and slash. Mounted on medium-sized or large prime movers. Scarification with the Bracke T26.b gives plants and seeds the best possible start for growth and survival whatever the terrain. The Bracke T26.b's flexibility ensures that it delivers good results on all types of preparation objects, but is a particularly good choice when terrain conditions vary considerably.

Design

The Bracke T26.b is designed to enable it to closely follow uneven terrain. The machine's hydraulics allow sideways arm movements and the disc to turn about its vertical axis if overloaded. The hydraulics are load-sensing and are connected to the prime mover. As an accessory, the Bracke T26.b can be ordered with central lubrication.

Machine control

The control system, is based on a PLC platform and communicates over a CAN bus. With the new display, the control system is very user friendly. The disc trencher

is fitted with sensors that send information to the control system about, for example, the prime mover's speed, the angle of the discs and the position of the arms. The control system has eight programmable operating programs chosen from the controls in the cab. The display is used to make settings in the control system and read information from the scarifier. The control system keeps track of the scarified area and the distance covered, for both individual sites and in total, as well as the number of hours worked.

Scarification

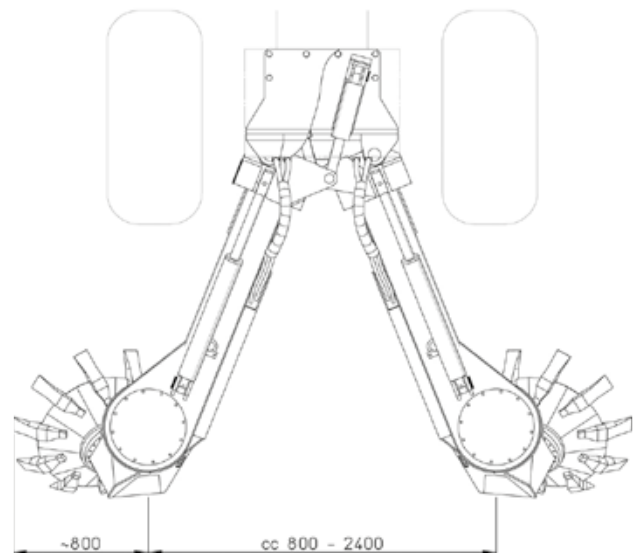
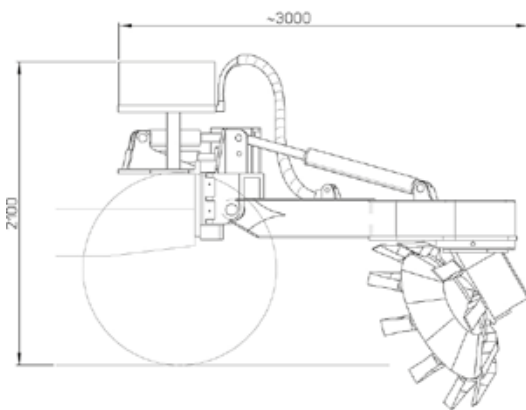
The operator controls the Bracke T26.b from the cab. Depending on changes in the site conditions, one of the eight preset programs are chosen. The control system gives the operator variation possibilities to set arms and discs on different widths and angles. It is also possible to vary ground and lifting pressure or operate with a float position. The Bracke T26.b can be set to work continuously or intermittently.

Technical data

Prime mover	Forwarder/skidder 16 – 20 ton
Weight	3 450 kg
Disc diameter	1,000 mm, 1,400 mm incl. teeth Replaceable teeth
Hydraulic pressure	140 bar
Hydraulic flow	100 l/min
Electrical system	24V
Control system	PLC based
Accessories	Central lubrication Seeder S35.a Extra oil cooler



PLC based control system



The Bracke T26.b is mounted on a medium-sized or large prime mover.



Discs with replaceable teeth.



The Bracke T26.b creates planting spots with inverted humus (T), mineral soil mounds on inverted humus (H), and mineral soil mounds (M).

Bracke reserves the right to make changes. 2018-06-05

Bracke Forest AB

Svedjegatan 11, 843 31 Bräcke, Sweden

Tel.: +46 (0)693 - 105 75 • info@brackeforest.com • www.brackeforest.com



FASSI GROUP