

Technical sheet

MLA-T 516-75 H

Articulated loaders

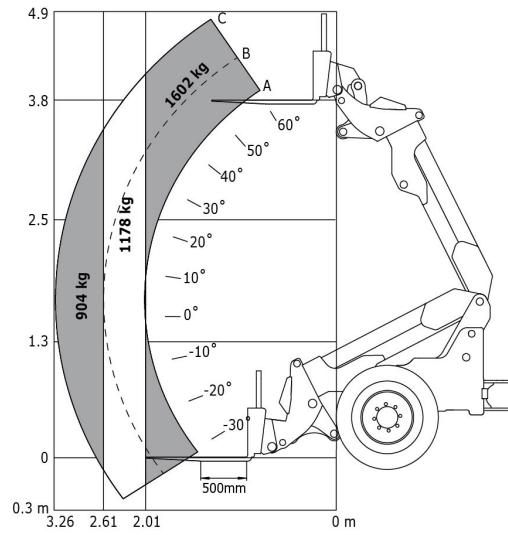


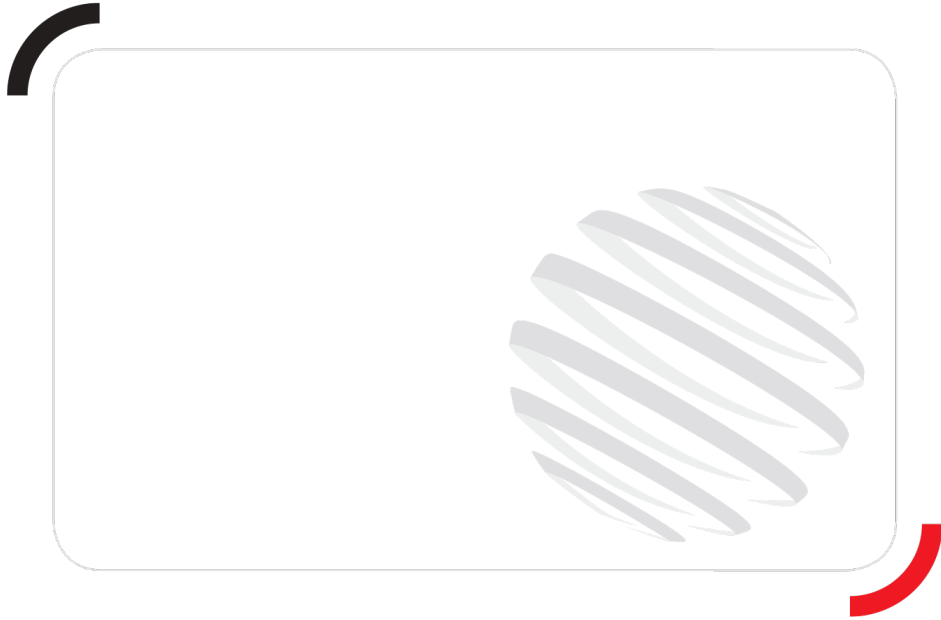
Capacities	Metric
Static tipping load with bucket (straight)	3535 kg
Static tipping load with forks (straight)	2732 kg
Static tipping load with forks (full turn)	2000 kg
Max. payload with forks as per EN 474-3 (80%)	1600 kg
h35 - Max. height of bucket pivot point	5.03 m
h3 - Max. lifting height (below forks)	4.84 m
Weight and dimensions	
Unladen weight (with forks) with 4-post canopy	5543 kg
m4 - Ground clearance	0.31 m
I3 - Overall length to carriage (without hitch)	4.95 m
b22 - Overall width of 4 posts canopy	1.28 m
b4 - Overall width of cab	1.28 m
b1 - Overall width (over tyres)	1.74 m
h38 - Overall height with 4 posts canopy	2.48 m
Engine	
Brand	Deutz
Environmental norm	Stage 3B
Model	TD 3,6 L4
Number of cylinders - Cubic capacity	4 - 3600 cm ³
Power	74.30 hp / 55.40 kW
Max. torque	330 Nm at 1600 rpm
Transmission	
Type	Hydrostatic
Number of Gears (Forward) with standard speed	2
Number of Gears (Reverse) with standard speed	2
Number of Gears (Forward) with max. speed	3
Number of Gears (Reverse) with max. speed	3
Max. travel speed	30 km/h
Differential lock	Limited slip differential on front and rear axles
Parking brake	Manual parking brake
Hydraulics	
Hydraulic pump type	Gear pump
Hydraulic flow - Pressure	70 l/min - 200 bar
Drive hydraulic system pressure	380 bar
Tank capacities	
Hydraulic oil	74 l
Fuel	102 l
Noise & vibration	
Vibration to whole hand / arm	2.5 m/s ²
Miscellaneous	
Safety	Cab ROPS - FOPS Level 1

Options / Finishing

S : Standard / O : Optional / - : Not available

	Essential	Classic	Premium	Elite
General				
Air prefilter	S	S	S	-
Hand throttle	S	S	S	-
Speed control	O	O	S	-
Third speed	O	O	S	-
Comfort				
Mechanical seat	S	S	-	-
Air suspension seat	-	O	S	-
Tuner car radio	-	S	S	-
Air conditioning	-	O	S	-
Boom suspension	O	O	S	-
Canopy	S	-	-	-
Closed cab with heating	-	S	S	-
Adjustable steering column	S	S	S	-
Floor mat	S	S	S	-
Hydraulic				
Attachment hydraulic locking	S	S	S	-
Easy Connect System (ECS)	S	S	S	-
Continuous flow hydraulics	S	S	S	-
Attachment hydraulic line	S	S	S	-
Electricity / Safety				
Complete road lighting	O	S	S	-
Rotating beacon light	O	O	O	-
Front and rear work lights on cab (x4: 2 front + 2 rear)	S	S	-	-
Front and rear LED work lights on cab (x4 : 2 front + 2 rear)	O	O	S	-





Siège Social
430 rue de l'Aubinière - 44150 Ancenis Cedex - France
Tel: +33(0)2 40 09 10 11 - Fax: +33 (0)2 40 09 10 97
www.manitou.com



This brochure describes versions and configuration options for Manitou products which may be fitted with different equipment. The equipment described in this brochure may be standard, optional or not available depending on version. Manitou reserves the right to change the specifications shown and described at any time and without prior warning. The manufacturer is not liable for the specifications given. For more information, contact your Manitou dealer. Non-contractual document. Product descriptions may differ from actual products. List of specifications is not comprehensive. The logos and visual identity of the company are the property of Manitou and may not be used without authorisation. All rights reserved. The photos and diagrams contained in this brochure are provided for information only.

MANITOU BF SA - Limited company with board of directors - Share capital: 39,547,824 euros - 857 802 508 RCS Nantes